

Motion detector

IS 240 DUO

black
EAN 4007841 602710
Article number 602710



infrared sensor
240°



max. 12 m

1000 W

1000 W max.



IP54



160° horizontal



2 - 2000 lux



10 sec - 15 min



Ideal 2 m



energy saving

3 years

manufacturer's
warranty steinel.de/
garantie

Function description

Round the corner. Infrared wall sensor IS 240 DUO, for indoors and out, 240° angle of coverage, reach up to 12 m, selectable time and twilight threshold, detection zone can be customised with shrouds.

Technical specifications

Dimensions (L x W x H)	100 x 60 x 90 mm	LED lamps > 2 W < 8 W	175 W
Manufacturer's Warranty	3 years	LED lamps > 8 W	350 W
Settings via	Potentiometers	Capacitive load in μF	132 μF
With remote control	No	Technology, sensors	passive infrared, Light sensor
Version	black	Mounting height	1,80 – 4,00 m
PU1, EAN	4007841602710	Mounting height max.	4,00 m
Type	Motion detectors	Optimum mounting height	2 m
Application, place	Indoors, Outdoors	Detection angle	240 °
Application, room	outdoors, front door, all round the building, terrace / balcony, courtyard & driveway	Angle of aperture	180 °
Colour	black	Sneak-by guard	Yes
Colour, RAL	9005	Capability of masking out individual segments	Yes
Includes corner wall mount	Yes	Electronic scalability	No
Installation site	wall, corner	Mechanical scalability	No
Installation	Surface wiring, Wall, corner	Reach, radial	r = 5 m (52 m ²)
IP-rating	IP54	Reach, tangential	r = 12 m (302 m ²)
Protection class	II	Switching zones	276 switching zones
		Twilight setting	2 – 2000 lx

<https://www.steinel.de>

Subject to technical modifications

05.2025 Page 1 from 3

Motion detector

IS 240 DUO

black
EAN 4007841 602710
Article number 602710



Technical specifications

Ambient temperature	from -20 up to 50 °C
Material	Plastic
Mains power supply	230 V / 50 Hz
Switching output 1, resistive	1000 W
Fluorescent lamps, electronic ballast	350 W
Fluorescent lamps, uncorrected	500 VA
Fluorescent lamps, series-corrected	500 VA
Fluorescent lamps, parallel-corrected	500 VA
Switching output 1, low-voltage halogen lamps	1000 VA
LED lamps < 2 W	100 W

Time setting	10 s – 15 Min.
Basic light level function	No
Main light adjustable	No
Twilight setting TEACH	No
Constant-lighting control	No
Interconnection	Yes
Type of interconnection	Master/master
Interconnection via	Cable
Product category	Motion detector

Accessories

EAN 4007841 630119

Corner wall mount 01

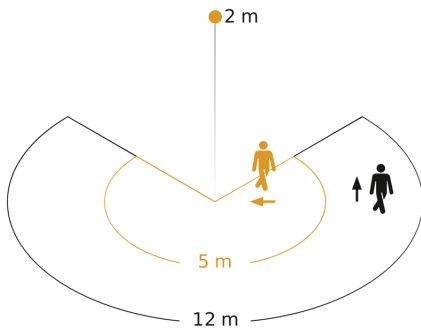
Motion detector

IS 240 DUO

black
EAN 4007841 602710
Article number 602710

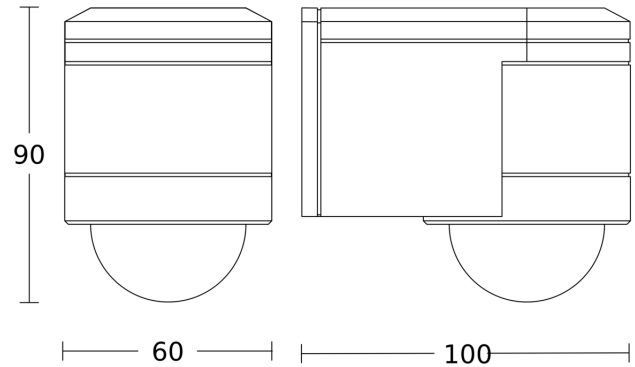


Detection Zone



Possible mounting height: 1,80 m - 4,00 m
Orange: radial
Black: tangential

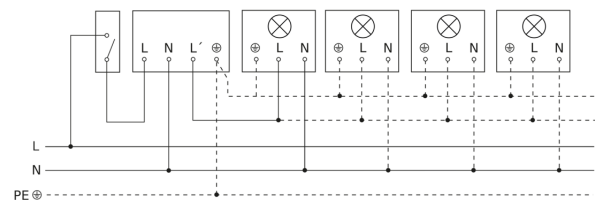
Dimension Drawing



Light without neutral conductor



Light with neutral conductor



Connection using two-circuit switch for manual and automatic operation



Circuit diagram Connection via a changeover switch for continuous and automatic operation

